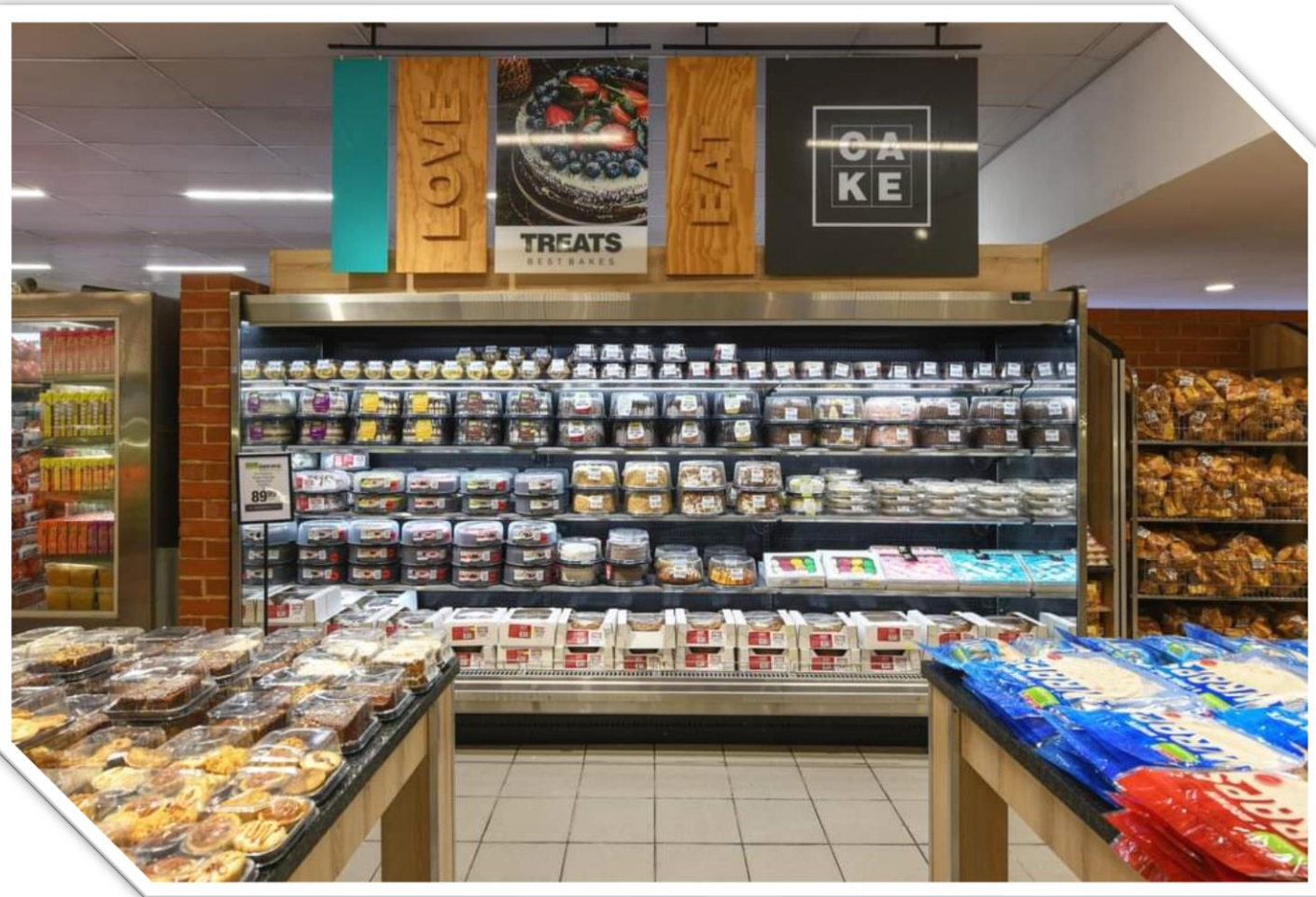




# Insulated Structures

*Efficiency At Work*

## UPRIGHT LOFTY



Standard Specifications	
• 5 x Unlit LED Stainless Steel Shelves	• 2 x probes (Air Off & Defrost)
• LED Canopy Lights	• Standard Coil
• Shaded Pole Fans	• Aluminum Ticket Rails
• Valves (Brass Thermostatic)	• Electronic Display

Optional Specifications	
• 40mm Patch Ends with Full Recess Mirrors	• ECM Fans
• 40mm Lofty Patch Ends with Glass	• Electronic Valves
• Cladding Options: Refer to Cladding Details Document (Available on Request)	• Stainless Steel Bullnose Shelves
	• Plastic Ticker Rails
	• LED Shelf Lights: FRT5 NW 4000k 24V
	• Front Raiser Glass
	• Manual Night Blinds

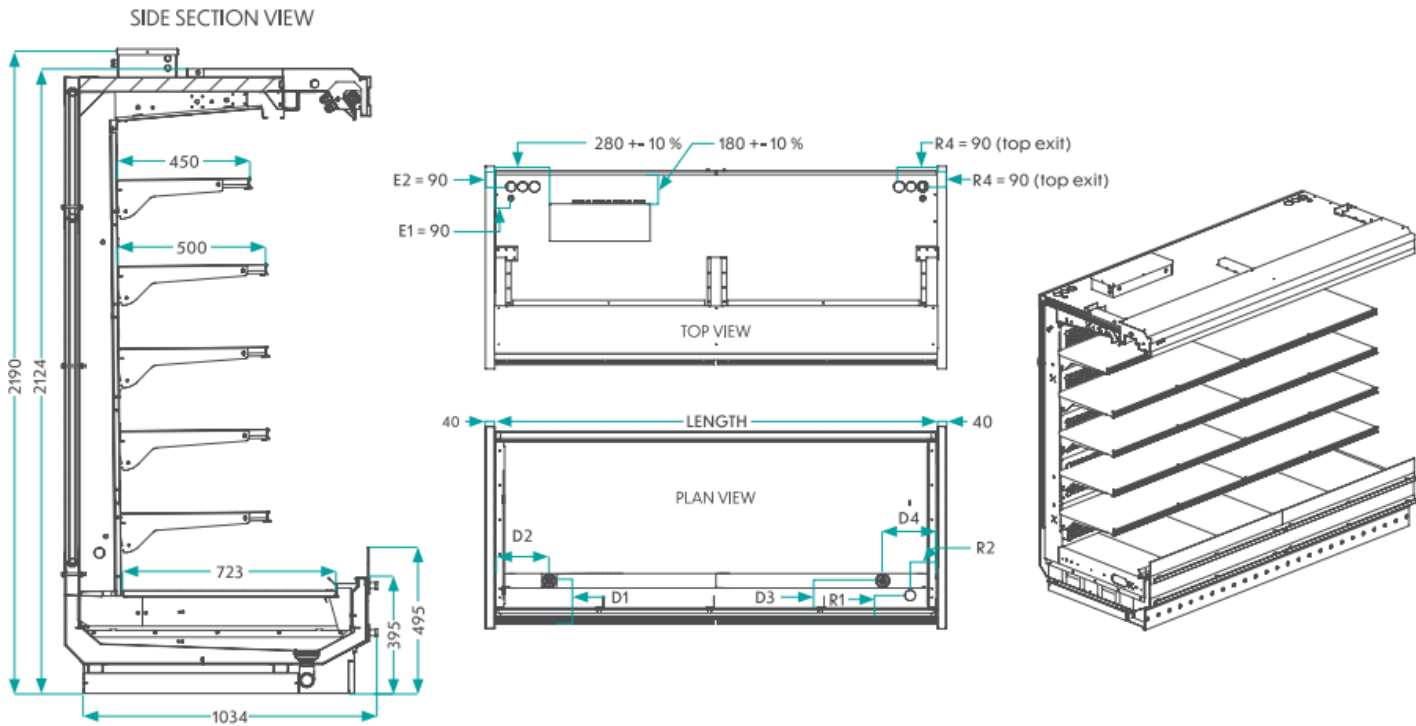
*Leaders in world class innovation for bespoke end to end energy efficient refrigeration solutions*



# Insulated Structures

*Efficiency At Work*

## UPRIGHT LOFTY



Refrigeration requirement			Drain Points & Refrigeration					
Product	Refrigeration	Evaporation Temp	D1	D2	D3	D4	R1 (Btm Exit)	R2 (Btm Exit)
Dairy	480W/ft	-6 °C	200mm	610mm	-	-	120mm	150mm
Meat	480W/ft	-8 °C	200mm	915mm	-	-	120mm	150mm
			200mm	300mm	200mm	300mm	120mm	150mm
			200mm	300mm	200mm	300mm	120mm	150mm
			200mm	300mm	200mm	300mm	120mm	150mm

Physical Properties			Electrical Specifications					
Size	Length (m)	TDA (m <sup>2</sup> )	Size	Evaporator Fans	Heaters	Heaters	Lighting	Lighting
4ft	1220	2.20		Fan Blade + Motor	Anti-Sweat	Defrost	Canopy (LED)	Shelf (LED)
6ft	1830	3.30	4ft	2x230-31°/60W (SPM) or 24W (ECM)	1x7W/mx2.0m	1x800W	2x3ft = 60W	5x3ft = 150W
7ft	2135	3.85	6ft	3x230-31°/60W (SPM) or 24W (ECM)	1x7W/mx3.2m	1x1200W	4x5ft = 116W	5x5ft = 290W
8ft	2440	4.40	7ft	3x230-31°/60W (SPM) or 24W (ECM)	1x7W/mx4.1m	1x1300W	4x3ft x 120W	10x3ft = 300W
12ft	3660	6.61	8ft	4x230-31°/60W (SPM) or 24W (ECM)	1x7W/mx4.88m	1x1600W	2x4ft+2x3ft = 132W	10x3ft = 300W
			12ft	6x230-31°/60W (SPM) or 24W (ECM)	1x7W/mx7.3m	1x1200W	4x4ft+2x3ft = 204W	15x3ft = 450W

*Leaders in world class innovation for bespoke end to end energy efficient refrigeration solutions*

